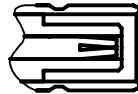
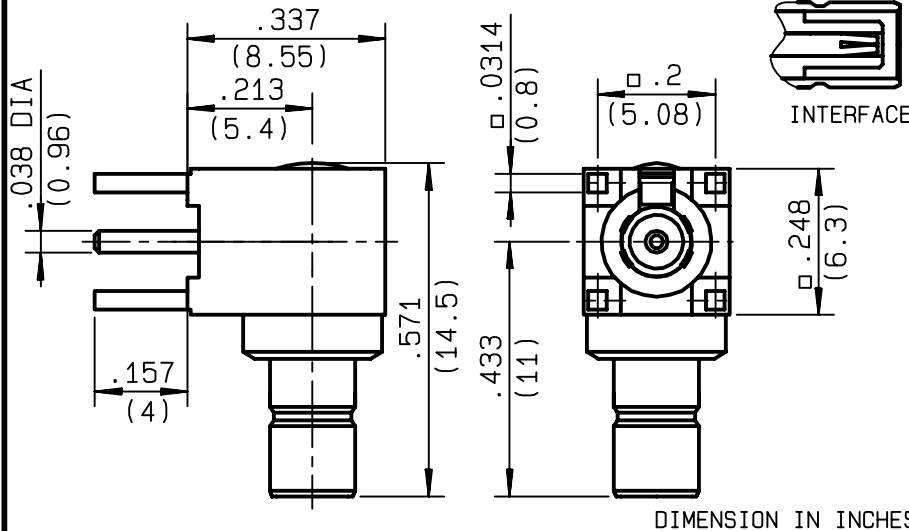


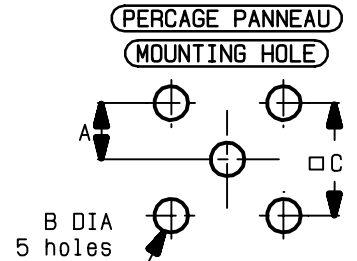
**RP RIGHT ANGLE SMB RECEPTACLE
FOR P.C.B**

**R300.114.425
SERIES REV POLARITY**



INTERFACE

PACKAGING		
Standard	Unit	Other
100	-	Contact us



	MM		INCH	
	maxi	mini	maxi	mini
A	2.59	2.49	.102	.1
B	1.4	1.3	.055	.051
C	5.16	5	.203	.197

DIMENSION IN INCHES (mm)

NOMINAL IMPEDANCE	50 Ω
FREQUENCY RANGE	0-4 GHz
TEMPERATURE RATING	-65/+165 °C
V.S.W.R	NA + x F(GHz)Maxi
RF INSERTION LOSS	NA √F(GHz) dB Maxi
VOLTAGE RATING	335 Veff Maxi
DIELECTRIC WITHSTANDING VOLTAGE	1000 Veff Mini
INSULATION RESISTANCE	1000 MΩMini
HERMETIC SEAL	NA Atm.cm ³ /s
LEAKAGE (pressurized only)	NA
MECHANICAL DURABILITY	500 Cycles
WEIGHT	gr
SPECIFICATION	

CABLES :

OTHERS CHARACTERISTICS

CABLE RETENTION	NA	N Mini
CENTER CONTACT RETENTION		
Axial force - mating end	10	N Mini
Axial force - opposite end	10	N Mini
Torque	NA	cm.N Mini
RECOMMENDED TORQUES		
Mating	NA	cm.N
Panel nut	NA	cm.N
Clamp nut	NA	cm.N

CONNECTOR PARTS:	MATERIALS	FINISH	(all values are given in micrometers)
BODY	BRASS	NICKEL 2	
OUTER CONTACT			
CENTER CONTACT	BERYLLIUM COPPER	GOLD 1.3 OVER NICKEL 2	
INSULATOR	PTFE	-	
GASKET		-	
OTHERS PIECES			

MASTRIANO

ISSUE 0306A01	CREATION DATE 28/02/2001	FILE PART-NUMBER 95-0400-623
-------------------------	------------------------------------	--



RADIALL®

The information given here is subject to change without notice.
Design changes may be in order to improve the product .

Connect to the future